

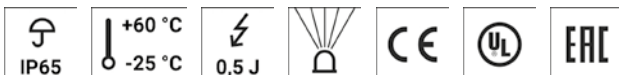
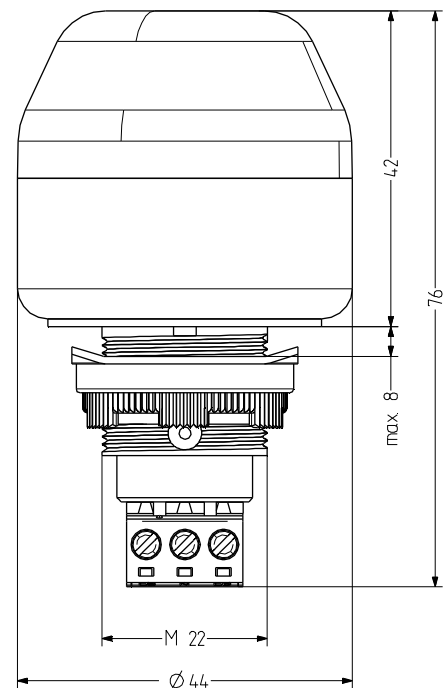
## ISM M22 panel mount Xenon strobe beacon

- Ø 45 mm xenon strobe beacon
- Good signalling effect
- High degree of protection IP 65
- User-friendly connection technology
- Prewired model versions with IP 67 on request
- 0.5 J strobe energy
- For industrial and general applications
- Panel size Ø 22.5 mm/M22
- Adapter available for M30.5 mm panel size



### TECHNICAL DATA

Housing	Ø 45 mm, Polycarbonate black (RAL 9005) or grey (RAL 7035)
Lens	Polycarbonate, ribbed inside orange, red, clear, blue, green or yellow
Type of mounting	any
Panel size	22x1,25 mm (M22) and 30.5 mm (with adapter), mounting depth 34 mm
Connection technology	Screw/plug-in terminal 2,5 mm <sup>2</sup>
Leakage current	0,003 A (PLC-suitable)
Beacon type	Xenon strobe beacon
Light source	Xenon tube
Luminous intensity	0,5 J Strobe energy
Strobe/flash frequency	1,4 Hz
Duty cycle	100 %
Service life	Light source: 10 million flashes
Operating temperature	-25°C/+60°C
Degree of protection	IP65 & UL Type 4/4x/13



## ISM

## ORDER DATA

Lens colour	Nominal voltage	Voltage range (V)	Nominal current (A)	Housing colour	
				grey	black
orange	12-24 V AC/DC	+/- 10 %	0,110	801 111 405	801 511 405
	110-120 V AC	+/- 10 %	0,020	801 111 310	801 511 310
	230-240 V AC	+/- 10 %	0,012	801 111 313	801 511 313
red	12-24 V AC/DC	+/- 10 %	0,110	801 112 405	801 512 405
	110-120 V AC	+/- 10 %	0,020	801 112 310	801 512 310
	230-240 V AC	+/- 10 %	0,012	801 112 313	801 512 313
clear	12-24 V AC/DC	+/- 10 %	0,110	801 114 405	801 514 405
	110-120 V AC	+/- 10 %	0,020	801 114 310	801 514 310
	230-240 V AC	+/- 10 %	0,012	801 114 313	801 514 313
blue	12-24 V AC/DC	+/- 10 %	0,110	801 115 405	801 515 405
	110-120 V AC	+/- 10 %	0,020	801 115 310	801 515 310
	230-240 V AC	+/- 10 %	0,012	801 115 313	801 515 313
green	12-24 V AC/DC	+/- 10 %	0,110	801 116 405	801 516 405
	110-120 V AC	+/- 10 %	0,020	801 116 310	801 516 310
	230-240 V AC	+/- 10 %	0,012	801 116 313	801 516 313
yellow	12-24 V AC/DC	+/- 10 %	0,110	801 117 405	801 517 405
	110-120 V AC	+/- 10 %	0,020	801 117 310	801 517 310
	230-240 V AC	+/- 10 %	0,012	801 117 313	801 517 313



ADM30

## ACCESSORIES

Type	Type of accessory	Weight	Order number
ADM30	Adapter for M30.5 for 30.5 mm holes	8 g	812 500 900