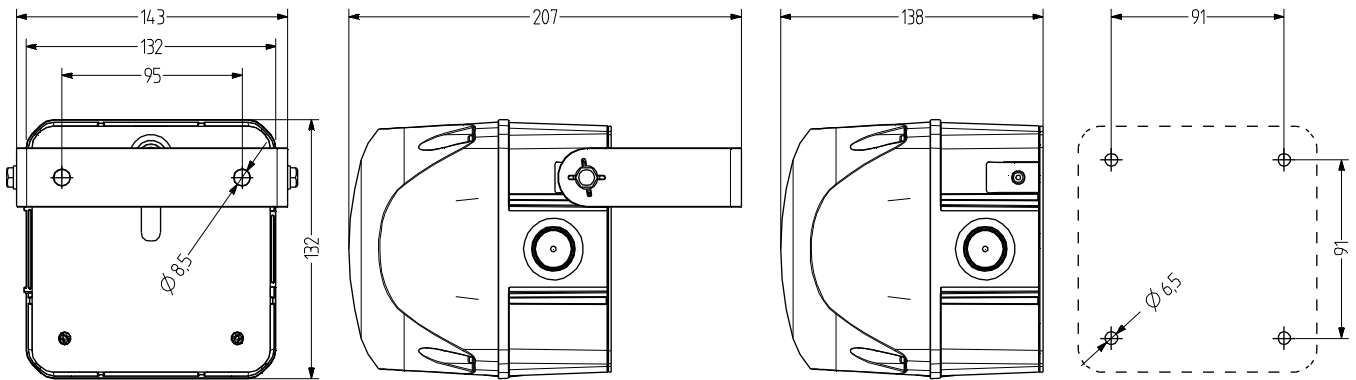


# QFM Xenon strobe beacon

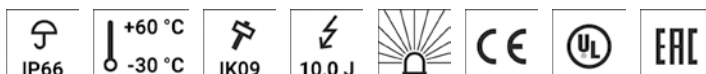
- 132 mm cubic-design xenon strobe beacon
- Good frontal and lateral signalling effect
- Combinations of beacons and multi-tone alarm sounders possible
- UV-stabilised material
- 10 J strobe energy
- High degree of protection IP 66 & impact resistance IK09
- For industrial and general applications



## TECHNICAL DATA

Housing	132 mm (square), Polycarbonate red (RAL 3000)
Lens	Polycarbonate, ribbed inside orange, red, clear, blue, green or yellow
Type of mounting	any
Cable entry	Back: Grommet 5-10 mm, optional side cable entry with cable gland (on both sides) (accessory type AKV)
Connection technology	Screw/plug-in terminal 2,5 mm <sup>2</sup>
Leakage current	0,003 A (PLC-suitable)
Beacon type	Xenon strobe beacon

Light source	Xenon tube
Luminous intensity	10 J Strobe energy
Strobe/flash frequency	1 Hz
Duty cycle	100 %
Service life	Light source: 15 million flashes
Operating temperature	-30°C/+60°C
Degree of protection	IP66 & UL Type 4/4x/13
Impact resistance	IK09
Weight	550 g



# QFM

## ORDER DATA

Lens colour	Nominal voltage	Voltage range (V)	Nominal current (A)	Order number
orange	24-48 V AC/DC	18-53	0,900	874 661 408
	110-120 V AC	+/- 10 %	0,260	874 661 310
	230-240 V AC	+/- 10 %	0,160	874 661 313
red	24-48 V AC/DC	18-53	0,900	874 662 408
	110-120 V AC	+/- 10 %	0,260	874 662 310
	230-240 V AC	+/- 10 %	0,160	874 662 313
clear	24-48 V AC/DC	18-53	0,900	874 664 408
	110-120 V AC	+/- 10 %	0,260	874 664 310
	230-240 V AC	+/- 10 %	0,160	874 664 313
blue	24-48 V AC/DC	18-53	0,900	874 665 408
	110-120 V AC	+/- 10 %	0,260	874 665 310
	230-240 V AC	+/- 10 %	0,160	874 665 313
green	24-48 V AC/DC	18-53	0,900	874 666 408
	110-120 V AC	+/- 10 %	0,260	874 666 310
	230-240 V AC	+/- 10 %	0,160	874 666 313
yellow	24-48 V AC/DC	18-53	0,900	874 667 408
	110-120 V AC	+/- 10 %	0,260	874 667 310
	230-240 V AC	+/- 10 %	0,160	874 667 313



AMK



AB2



AG2



AKV

## ACCESSORIES

Type	Type of accessory	Weight	Order number
AMK	Mounting set for combining several pieces of signalling equipment of the same size	10 g	874 010 900
AB2	Mounting set for metal bracket for mounting in any direction (e.g. on mounting platforms)		874 032 900
AG2	Flat seal for correct IP66 installation on smooth surfaces		874 022 900
AKV	Cable gland M20x1,5		698 800 026



Strobe