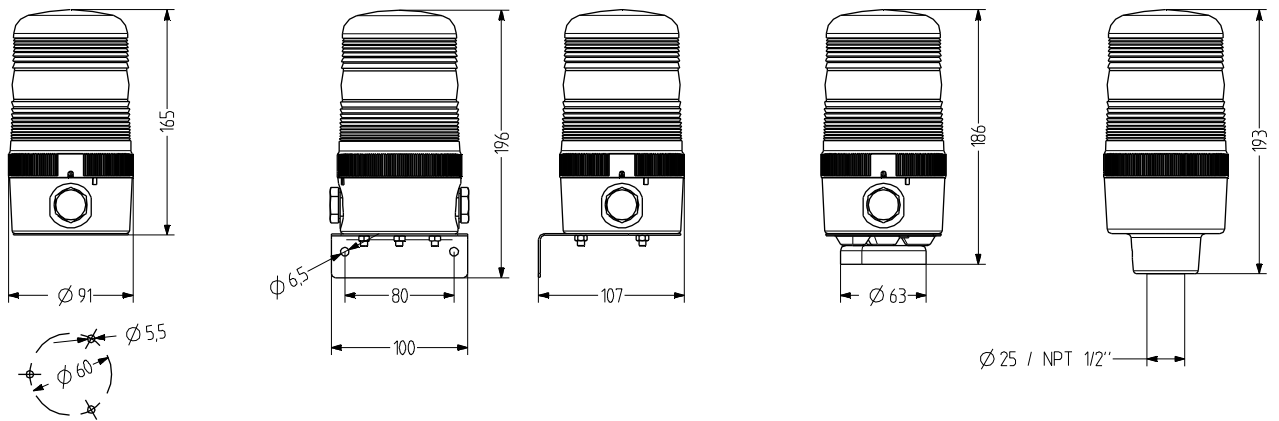


MFS Xenon strobe beacon

- Ø 90 mm xenon strobe beacon
- Good signalling effect
- Modular design – easy to mount/service
- 4 types of mounting
- 7 J strobe energy
- High degree of protection IP 65
- For industrial and general applications
- Captive safety screw for lens



TECHNICAL DATA

Housing	Ø 90 mm, Polycarbonate black
Lens	Polycarbonate, ribbed (Fresnel) orange, red, clear, blue, green or yellow
Type of mounting	horizontal, vertical, Tube mounting, Magnetic mounting or upside down
Cable entry	side: 2x M20 with blind plugs (optional cable gland 5-12 mm), back: Grommet 5-7 mm
Connection technology	Terminal 2,5 mm ²
Leakage current	0,003 A (PLC-suitable)

Beacon type	Xenon strobe beacon
Light source	Xenon tube
Luminous intensity	7 J Strobe energy
Strobe/flash frequency	1 Hz
Duty cycle	100 %
Service life	Light source: 1.500 - 5.000 h
Operating temperature	-25°C/+60°C
Degree of protection	IP65 & UL Type 4/4x/13
Weight	310 g



MFS

ORDER DATA

Lens colour	Nominal voltage	Voltage range [V]	Nominal current [A]	Type of mounting		
				horizontal	Tube Ø 25 mm	Tube NPT 1/2"
orange	12-24 V AC/DC	+/- 10 %	12 V AC: 0,83; 24 V AC: 0,48\	847 101 405	847 301 405	847 311 405
			n12 V DC: 0,65; 24 V DC: 0,36			
	110-120 V AC	+/- 10 %	0,210	847 101 310	847 301 310	847 311 310
	230-240 V AC	+/- 10 %	0,120	847 101 313	847 301 313	847 311 313
red	12-24 V AC/DC	+/- 10 %	12 V AC: 0,83; 24 V AC: 0,48\	847 102 405	847 302 405	847 312 405
			n12 V DC: 0,65; 24 V DC: 0,36			
	110-120 V AC	+/- 10 %	0,210	847 102 310	847 302 310	847 312 310
	230-240 V AC	+/- 10 %	0,120	847 102 313	847 302 313	847 312 313
clear	12-24 V AC/DC	+/- 10 %	12 V AC: 0,83; 24 V AC: 0,48\	847 104 405	847 304 405	847 314 405
			n12 V DC: 0,65; 24 V DC: 0,36			
	110-120 V AC	+/- 10 %	0,210	847 104 310	847 304 310	847 314 310
	230-240 V AC	+/- 10 %	0,120	847 104 313	847 304 313	847 314 313
blue	12-24 V AC/DC	+/- 10 %	12 V AC: 0,83; 24 V AC: 0,48\	847 105 405	847 305 405	847 315 405
			n12 V DC: 0,65; 24 V DC: 0,36			
	110-120 V AC	+/- 10 %	0,210	847 105 310	847 305 310	847 315 310
	230-240 V AC	+/- 10 %	0,120	847 105 313	847 305 313	847 315 313
green	12-24 V AC/DC	+/- 10 %	12 V AC: 0,83; 24 V AC: 0,48\	847 106 405	847 306 405	847 316 405
			n12 V DC: 0,65; 24 V DC: 0,36			
	110-120 V AC	+/- 10 %	0,210	847 106 310	847 306 310	847 316 310
	230-240 V AC	+/- 10 %	0,120	847 106 313	847 306 313	847 316 313
yellow	12-24 V AC/DC	+/- 10 %	12 V AC: 0,83; 24 V AC: 0,48\	847 107 405	847 307 405	847 317 405
			n12 V DC: 0,65; 24 V DC: 0,36			
	110-120 V AC	+/- 10 %	0,210	847 107 310	847 307 310	847 317 310
	230-240 V AC	+/- 10 %	0,120	847 107 313	847 307 313	847 317 313



Strobe



WMS



MMR



MSR



MGS



AKV



MBK



MQS

ACCESSORIES

Type	Type of accessory	Tube length	Weight	Order number
WMS	Metal bracket for wall mounting		160 g	817 200 900
MMR	Tube mounting Aluminium with plastic foot	50 mm		698 806 007
		100 mm		698 806 008
		250 mm		698 806 009
		400 mm		698 806 010
MSR	Tube mounting Stainless steel with die-cast zinc foot, black (powder-coated)	50 mm		698 806 021
		100 mm		698 806 022
		250 mm		698 806 023
		400 mm		698 806 024
MGS	Magnetic fixing		340 g	817 203 900
AKV	Cable gland M20x1,5			698 800 026
MBK	Earthing kit for UL-compliant installation			819 201 900
MQS	Mounting plate for UL-compliant installation			817 202 900



XT07

REPLACEMENT PARTS

Type	Type of accessory	Order number
XT07	Xenon flashtube	890 107 900