

dHW Explosion-proof signal bell

- Loud, explosion-proof electromechanical signal horn with a typical bell tone
- Certified for use in gas and dust hazardous areas of zone 1, 2, 21, 22
- Flame-proof enclosure "d"
- Terminal connection chamber "increased safety e"
- Housing made of glass-fibre-reinforced plastic
- Degree of protection IP 66, max. 105 dB (A) in 1 m
- Protection class II, no equipotential bonding required
- robust design
- Model with integrated telephone-call current relay available

II 2 G Ex de IIC T6

II 2 D Ex tD A21 IP66 T80°C

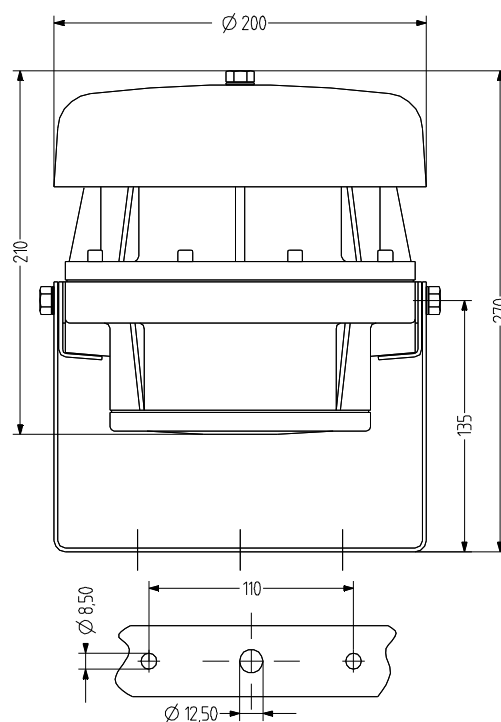
-20 °C ≤ Ta ≤ +40 °C

Zone 1, 2, 21, 22



TECHNICAL DATA

Housing	Ø 200 mm, glass-fibre-reinforced polyester black (RAL 9005)
Type of mounting	any with rotatable bracket mounting, sound outlet preferably at front or bottom
Cable entry	1× cable gland M20 × 1.5, 1× M20 × 1.5 with sealing plug
Connection technology	1.5 mm ² fine wire and 2.5 mm ² single wire
Tone	1 Tones, typical bell tone
Volume	max. 105 dB
Duty cycle	100 %
Operating temperature	-20 °C / +40 °C
Degree of protection	IP66
Approval	PTB 01 ATEX 1134
Insulation class	II
Weight	5,5 kg



dHW

ORDER DATA

Type	Nominal voltage	Voltage range (V)	Nominal current (A)	Telephone call current relay	Order number
dHW1	12 V AC	+ 10 %/- 15 %	0,600		320 000 104
	24 V AC	+ 10 %/- 15 %	0,320		320 000 105
	48 V AC	+ 10 %/- 15 %	0,300		320 000 108
	60 V AC	+ 10 %/- 15 %	0,240		320 000 109
	110 V AC	+ 10 %/- 15 %	0,140		320 000 110
	120 V AC	+ 10 %/- 15 %	0,180		320 000 211
	230 V AC	+ 10 %/- 15 %	0,055		320 000 113
	240 V AC	+ 10 %/- 15 %	0,065		320 000 213
dHW2	12 V DC	+ 10 %/- 15 %	0,600		320 000 004
	24 V DC	+ 10 %/- 15 %	0,350		320 000 005
	48 V DC	+ 10 %/- 15 %	0,300		320 000 008
	60 V DC	+ 10 %/- 15 %	0,230		320 000 009
	110 V DC	+ 10 %/- 15 %	0,130		320 000 010
	220 V DC	+ 10 %/- 15 %	0,070		320 000 013
dHWR1	230 V AC	+ 10 %/- 15 %	0,055	with telephone call current relay	320 100 113

