

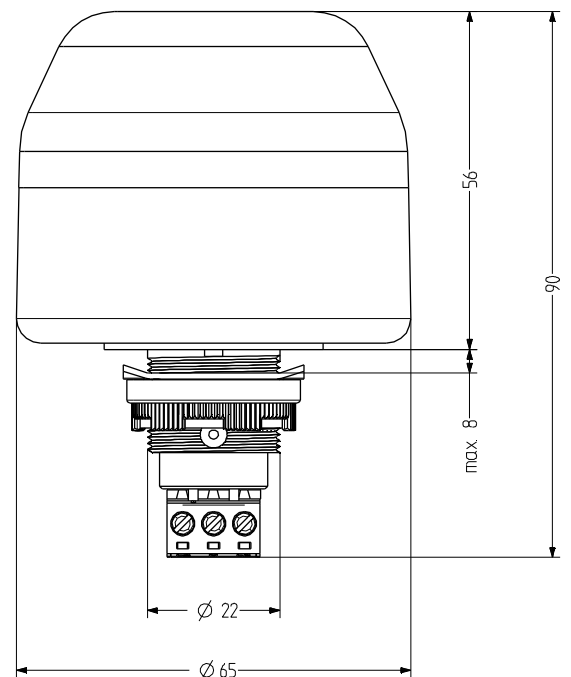
# IBL M22 panel mount LED steady/flashing beacon

- Ø 65 mm panel-mount LED steady/flashing beacon
- Good signalling effect
- High degree of protection IP 65
- User-friendly connection technology
- Prewired model versions with IP 67 on request
- Modern LED technology and electronics
- Steady/flashing light, can be switched externally
- For industrial and general applications
- Panel size Ø 22.5 mm/M22
- Adapter available for M30.5 mm panel size



## TECHNICAL DATA

Housing	Ø 65 mm, Polycarbonate black (RAL 9005) or grey (RAL 7035)
Lens	Polycarbonate, ribbed inside orange, red, clear, blue, green or yellow
Type of mounting	any
Panel size	22x1,25 mm (M22) and 30.5 mm (with adapter), mounting depth 34 mm
Cable entry	pre-wired at customer's request
Connection technology	Screw/plug-in terminal 2,5 mm <sup>2</sup>
Leakage current	0,003 A (PLC-suitable)
Beacon type	LED steady beacon or LED flashing beacon
Light source	12 LEDs
Strobe/flash frequency	2 Hz
Duty cycle	100 %
Service life	Light source: 100.000 h
Operating temperature	-25°C/+60°C
Degree of protection	IP65 & UL Type 4/4x/13
Weight	75 g



## IBL

## ORDER DATA

Lens colour	Nominal voltage	Voltage range (V)	Nominal current (A)	Housing colour	
				black	grey
orange	12 V AC/DC	+/- 10 %	0,080	802 501 404	802 101 404
	24 V AC/DC	+/- 10 %	0,060	802 501 405	802 101 405
	110-120 V AC	+/- 10 %	0,030	802 501 310	802 101 310
	230-240 V AC	+/- 10 %	0,031	802 501 313	802 101 313
red	12 V AC/DC	+/- 10 %	0,080	802 502 404	802 102 404
	24 V AC/DC	+/- 10 %	0,060	802 502 405	802 102 405
	110-120 V AC	+/- 10 %	0,030	802 502 310	802 102 310
	230-240 V AC	+/- 10 %	0,031	802 502 313	802 102 313
clear	12 V AC/DC	+/- 10 %	0,080	802 504 404	802 104 404
	24 V AC/DC	+/- 10 %	0,060	802 504 405	802 104 405
	110-120 V AC	+/- 10 %	0,030	802 504 310	802 104 310
	230-240 V AC	+/- 10 %	0,031	802 504 313	802 104 313
blue	12 V AC/DC	+/- 10 %	0,080	802 505 404	802 105 404
	24 V AC/DC	+/- 10 %	0,060	802 505 405	802 105 405
	110-120 V AC	+/- 10 %	0,030	802 505 310	802 105 310
	230-240 V AC	+/- 10 %	0,031	802 505 313	802 105 313
green	12 V AC/DC	+/- 10 %	0,080	802 506 404	802 106 404
	24 V AC/DC	+/- 10 %	0,060	802 506 405	802 106 405
	110-120 V AC	+/- 10 %	0,030	802 506 310	802 106 310
	230-240 V AC	+/- 10 %	0,031	802 506 313	802 106 313
yellow	12 V AC/DC	+/- 10 %	0,080	802 507 404	802 107 404
	24 V AC/DC	+/- 10 %	0,060	802 507 405	802 107 405
	110-120 V AC	+/- 10 %	0,030	802 507 310	802 107 310
	230-240 V AC	+/- 10 %	0,031	802 507 313	802 107 313



ADM30

## ACCESSORIES

Type	Type of accessory	Weight	Order number
ADM30	Adapter for M30.5 for 30.5 mm holes	8 g	812 500 900