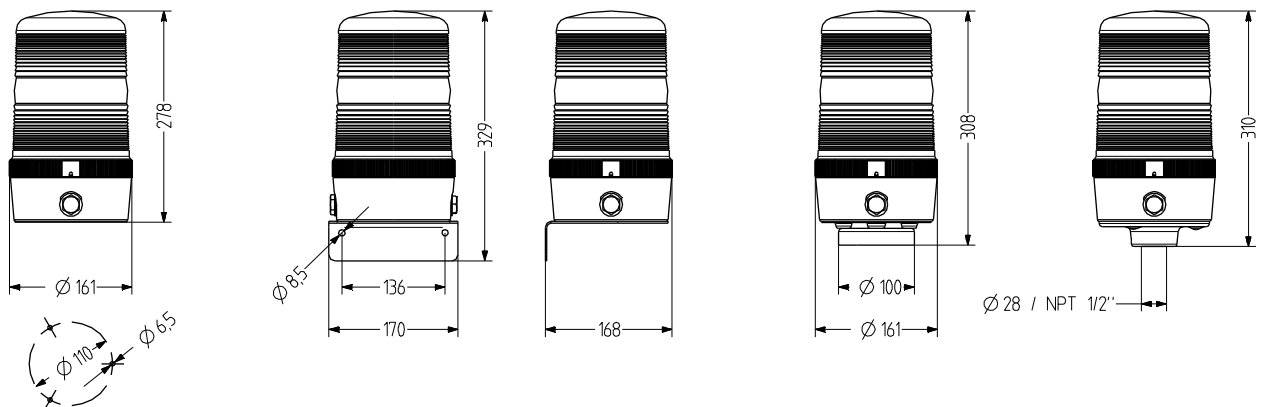


MLL Steady beacon

- Ø 160 mm steady beacon
- Distinct fresnel lens pattern for a good signalling effect
- Modular design – easy to mount/service
- 4 types of mounting
- 50 W halogen bulb included
- High degree of protection IP 65
- For industrial and general applications
- Captive safety screw for lens



TECHNICAL DATA

Housing	Ø 160 mm, Polycarbonate black
Lens	Polycarbonate, ribbed (Fresnel) orange, red, clear, blue, green or yellow
Type of mounting	horizontal, vertical, Tube mounting or Magnetic mounting
Cable entry	side: 2× M20 with blind plugs (optional cable gland 5-12 mm), back: Grommet 5-7 mm
Connection technology	Terminal 2,5 mm ²
Leakage current	0,003 A (PLC-suitable)

Beacon type	Steady beacon
Light source	Halogen bulb
Luminous intensity	50 W
Duty cycle	100 %
Service life	Light source: 1.500 - 5.000 h
Operating temperature	-25°C/+50°C
Degree of protection	IP65 & UL Type 4/4x/13



MLL

ORDER DATA

Lens colour	Nominal voltage	Voltage range [V]	Nominal current [A]	Type of mounting		
				horizontal	Tube Ø 30 mm	Tube NPT 1"
orange	12 V AC/DC	+/- 10 %	4,000	819 101 404	819 301 404	819 311 404
	24 V AC/DC	+/- 10 %	2,100	819 101 405	819 301 405	819 311 405
	110-120 V AC	+/- 10 %	0,420	819 101 310	819 301 310	819 311 310
	230-240 V AC	+/- 10 %	0,210	819 101 313	819 301 313	819 311 313
red	12 V AC/DC	+/- 10 %	4,000	819 102 404	819 302 404	819 312 404
	24 V AC/DC	+/- 10 %	2,100	819 102 405	819 302 405	819 312 405
	110-120 V AC	+/- 10 %	0,420	819 102 310	819 302 310	819 312 310
	230-240 V AC	+/- 10 %	0,210	819 102 313	819 302 313	819 312 313
clear	12 V AC/DC	+/- 10 %	4,000	819 104 404	819 304 404	819 314 404
	24 V AC/DC	+/- 10 %	2,100	819 104 405	819 304 405	819 314 405
	110-120 V AC	+/- 10 %	0,420	819 104 310	819 304 310	819 314 310
	230-240 V AC	+/- 10 %	0,210	819 104 313	819 304 313	819 314 313
blue	12 V AC/DC	+/- 10 %	4,000	819 105 404	819 305 404	819 315 404
	24 V AC/DC	+/- 10 %	2,100	819 105 405	819 305 405	819 315 405
	110-120 V AC	+/- 10 %	0,420	819 105 310	819 305 310	819 315 310
	230-240 V AC	+/- 10 %	0,210	819 105 313	819 305 313	819 315 313
green	12 V AC/DC	+/- 10 %	4,000	819 106 404	819 306 404	819 316 404
	24 V AC/DC	+/- 10 %	2,100	819 106 405	819 306 405	819 316 405
	110-120 V AC	+/- 10 %	0,420	819 106 310	819 306 310	819 316 310
	230-240 V AC	+/- 10 %	0,210	819 106 313	819 306 313	819 316 313
yellow	12 V AC/DC	+/- 10 %	4,000	819 107 404	819 307 404	819 317 404
	24 V AC/DC	+/- 10 %	2,100	819 107 405	819 307 405	819 317 405
	110-120 V AC	+/- 10 %	0,420	819 107 310	819 307 310	819 317 310
	230-240 V AC	+/- 10 %	0,210	819 107 313	819 307 313	819 317 313



Steady



WML



MGL



AKV



MBK



MQL

ACCESSORIES

Type	Type of accessory	Weight	Order number
WML	Metal bracket for wall mounting	510 g	819 200 900
MGL	Magnetic fixing	1,03 kg	819 203 900
AKV	Cable gland M20x1,5		698 800 026
MBK	Earthing kit for UL-compliant installation		819 201 900
MQL	Mounting plate for UL-compliant installation		819 202 900



Halogen bulb

REPLACEMENT PARTS

Type	Type of accessory	Nominal voltage	Output	Order number
HL51	Halogen bulb	12 V	50,000 W	890 050 904
HL52	Halogen bulb	24 V	50,000 W	890 050 905
HL55	Halogen bulb	110-120 V	50,000 W	890 050 910
HL56	Halogen bulb	230-240 V	50,000 W	890 050 913