

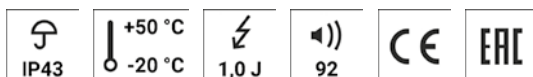
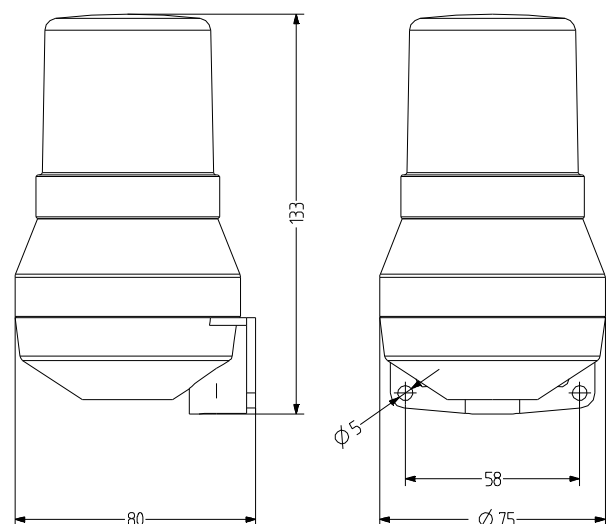
KDF Mini horn strobe beacon

- Well-designed electromechanical horn combined with xenon strobe beacon
- Degree of protection IP 43
- For universal audible applications
- Fully developed and proven technology – typical horn tone
- Comprehensive range of AC and DC nominal voltages
- Without cone
- Attractive price/performance ratio



TECHNICAL DATA

Housing	ABS grey (RAL 7035)
Lens	ribbed inside orange, red or yellow
Type of mounting	any, Sound outlet opening at bottom
Connection technology	up to 2,5 mm ²
Beacon type	Xenon strobe beacon
Luminous intensity	1 J Strobe energy
Strobe/flash frequency	1,4 Hz
Tone	Steady tone
Volume	88-92 dB
Duty cycle	100 %
Service life	Light source: 10 million flashes
Operating temperature	-20 °C / +50 °C
Degree of protection	IP43 & NEMA type 2
Weight	245 g



KDF

ORDER DATA

Lens colour	Nominal voltage	Voltage range (V)	Nominal current (A)	Mains frequency	Order number
orange	24 V DC	+/- 10 %	0,120		710 021 005
	110-120 V AC	+/- 10 %	0,050	60 Hz	710 021 210
	230-240 V AC	+/- 10 %	0,026	50 Hz	710 021 113
red	24 V DC	+/- 10 %	0,120		710 022 005
	110-120 V AC	+/- 10 %	0,050	60 Hz	710 022 210
	230-240 V AC	+/- 10 %	0,026	50 Hz	710 022 113
yellow	24 V DC	+/- 10 %	0,120		710 027 005
	110-120 V AC	+/- 10 %	0,050	60 Hz	710 027 210
	230-240 V AC	+/- 10 %	0,026	50 Hz	710 027 113

