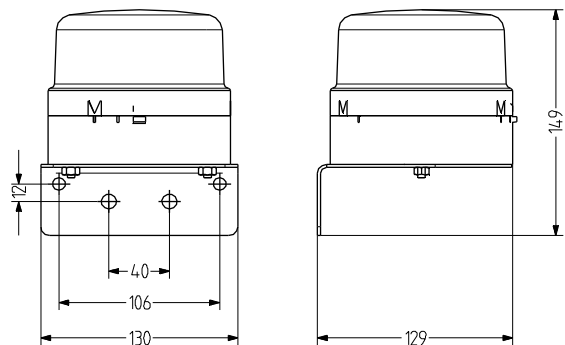
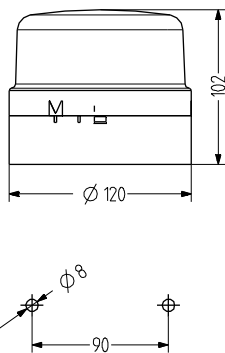


## WLG Steady beacon

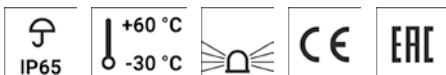
- Ø 120 mm steady beacon
- Conventional lighting technology, 25 W incandescent bulb; Ba15d
- High degree of protection IP 65
- Optional mounting bracket for vertical mounting
- Bayonet locking system with push button
- For general applications
- Attractive price/performance ratio



### TECHNICAL DATA

Housing	Ø 120 mm, ABS black (RAL 9005) or grey (RAL 7035)
Lens	Polycarbonate, ribbed inside orange, red, clear, blue, green or yellow
Type of mounting	horizontal or vertical (with bracket)
Cable entry	bottom: Grommet 5–10 mm
Connection technology	Terminal 2,5 mm <sup>2</sup>
Leakage current	0,003 A (PLC-suitable)

Beacon type	Steady beacon
Light source	Incandescent bulb
Luminous intensity	25 W
Duty cycle	100 %
Operating temperature	-30°C/+60°C
Degree of protection	IP65
Weight	230 g



# WLG

## ORDER DATA

Lens colour	Nominal voltage	Housing colour	
		black	grey
orange	12-24 V	822 501 900	822 101 900
red	12-24 V	822 502 900	822 102 900
clear	12-24 V	822 504 900	822 104 900
blue	12-24 V	822 505 900	822 105 900
green	12-24 V	822 506 900	822 106 900
yellow	12-24 V	822 507 900	822 107 900



Incandescent bulb

## ORDER DATA - LIGHT SOURCE

Type	Type of accessory	Nominal voltage	Nominal current (A)	Output	Order number
GL21	Incandescent bulb	12 V	2,080	25,000 W	890 025 904
GL22	Incandescent bulb	24 V	1,040	25,000 W	890 025 905
GL23	Incandescent bulb	48 V	0,520	25,000 W	890 025 908
GL24	Incandescent bulb	60 V	0,415	25,000 W	890 025 909
GL25	Incandescent bulb	110-120 V	0,208	25,000 W	890 025 910
GL26	Incandescent bulb	230-240 V		25,000 W	890 025 913



Steady



WIG

## ACCESSORIES

Type	Type of accessory	Order number
WIG	Bracket made of metal for wall mounting	822 200 900