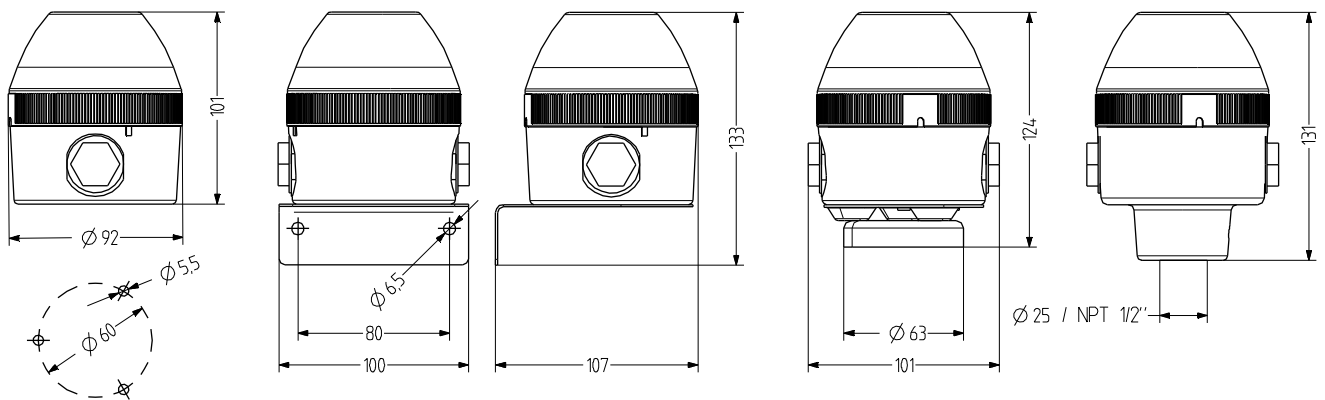


NMS-HP LED multi colour beacon

- Ø 90 mm LED high-performance multi-colour beacon
- Steady light, RED-YELLOW-GREEN
- Very good signalling effect
- High degree of protection IP 65 & IP 67
- Modern LED technology – 3 high-power LEDs per colour
- Colours can be switched externally via terminal assignment
- Wide voltage range due to switched-mode power supply technology
- For industrial and general applications, 4 types of mounting



TECHNICAL DATA

Housing	Ø 90 mm, Polycarbonate black (RAL 9005)
Lens	Polycarbonate, ribbed inside clear
Type of mounting	horizontal, vertical, Tube mounting or Magnetic mounting
Cable entry	side: 2× M20 × 1.5 with blind plugs (optional cable gland 7-14 mm), bottom: Grommet 5-7 mm
Connection technology	Terminal 2,5 mm ²
Leakage current	0,003 A (PLC-suitable)
Beacon type	LED steady beacon

Light source	3 High Power LEDs
Number of colours	3
Duty cycle	100 %
Service life	Light source: >50.000 h
Operating temperature	-30°C/+60°C
Degree of protection	IP65, IP67 & UL Type 4/4×/13
Weight	280 g (horizontal base)



NMS-HP

ORDER DATA

Lens colour	Nominal voltage	Voltage range (V)	Nominal current (A)	Type of mounting		
				horizontal	Tube Ø 25 mm	Tube NPT 1/2"
clear	24-48 V AC/DC	16-52 V AC	0,180	441 150 408	441 350 408	441 450 408
		16-65 V DC	0,130			
	110-240 V AC/DC	80-265	0,050	441 150 413	441 350 413	441 450 413



WMS



MMR



MSR



MGS



AKV



MBK



MQS

ACCESSORIES

Type	Type of accessory	Tube length	Weight	Order number
WMS	Metal bracket for wall mounting		160 g	817 200 900
MMR	Tube mounting Aluminium with plastic foot	50 mm		698 806 007
		100 mm		698 806 008
		250 mm		698 806 009
		400 mm		698 806 010
MSR	Tube mounting Stainless steel with die-cast zinc foot, black (powder-coated)	50 mm		698 806 021
		100 mm		698 806 022
		250 mm		698 806 023
		400 mm		698 806 024
MGS	Magnetic fixing		340 g	817 203 900
AKV	Cable gland M20x1,5			698 800 026
MBK	Earthing kit for UL-compliant installation			819 201 900
MQS	Mounting plate for UL-compliant installation			817 202 900



Steady