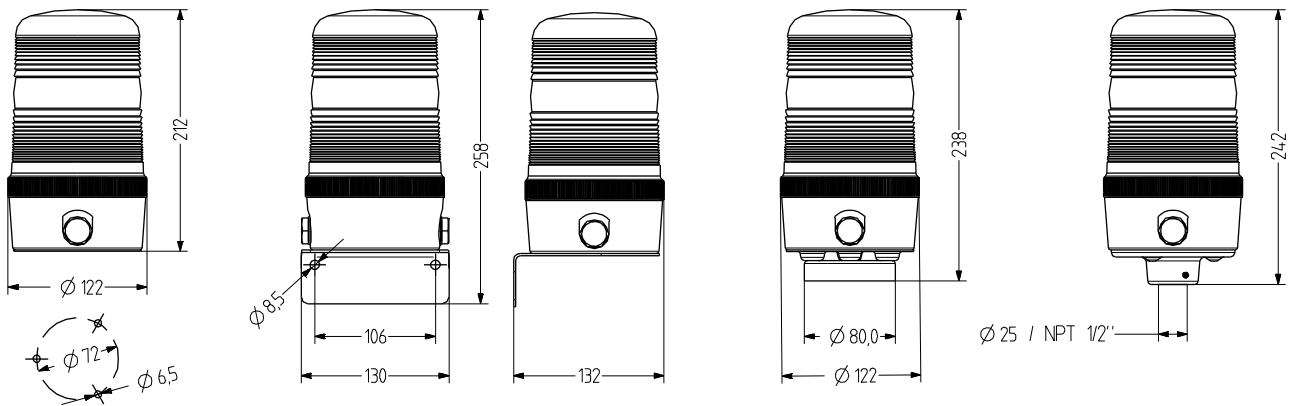


MBM Flashing beacon

- Ø 120 mm flashing beacon
- Distinct fresnel lens pattern for a good signalling effect
- Modular design – easy to mount/service
- 4 types of mounting
- 35 W halogen bulb included
- High degree of protection IP 65
- For industrial and general applications
- Captive safety screw for lens



TECHNICAL DATA

Housing	Ø 120 mm, Polycarbonate black
Lens	Polycarbonate, ribbed (Fresnel) orange, red, clear, blue, green or yellow
Type of mounting	horizontal, vertical, Tube mounting, Magnetic mounting or upside down
Cable entry	side: 2x M20 with blind plugs (optional cable gland 5-12 mm), back: Grommet 5-7 mm
Connection technology	Terminal 2,5 mm ²
Leakage current	0,003 A (PLC-suitable)

Beacon type	Flashing beacon
Light source	Halogen bulb
Luminous intensity	35 W
Strobe/flash frequency	1 Hz
Duty cycle	100 %
Service life	Light source: 1.500 - 5.000 h
Operating temperature	-25°C/+60°C
Degree of protection	IP65 & UL Type 4/4x/13
Weight	500 g



MBM

ORDER DATA

Lens colour	Nominal voltage	Voltage range [V]	Nominal current [A]	Type of mounting		
				horizontal	Tube Ø 25 mm	Tube NPT 1/2"
orange	12 V AC/DC	+/- 10 %	2,900	838 101 404	838 301 404	838 311 404
	24 V AC/DC	+/- 10 %	1,500	838 101 405	838 301 405	838 311 405
	110-120 V AC	+/- 10 %	0,290	838 101 310	838 301 310	838 311 310
	230-240 V AC	+/- 10 %	0,150	838 101 313	838 301 313	838 311 313
red	12 V AC/DC	+/- 10 %	2,900	838 102 404	838 302 404	838 312 404
	24 V AC/DC	+/- 10 %	1,500	838 102 405	838 302 405	838 312 405
	110-120 V AC	+/- 10 %	0,290	838 102 310	838 302 310	838 312 310
	230-240 V AC	+/- 10 %	0,150	838 102 313	838 302 313	838 312 313
clear	12 V AC/DC	+/- 10 %	2,900	838 104 404	838 304 404	838 314 404
	24 V AC/DC	+/- 10 %	1,500	838 104 405	838 304 405	838 314 405
	110-120 V AC	+/- 10 %	0,290	838 104 310	838 304 310	838 314 310
	230-240 V AC	+/- 10 %	0,150	838 104 313	838 304 313	838 314 313
blue	12 V AC/DC	+/- 10 %	2,900	838 105 404	838 305 404	838 315 404
	24 V AC/DC	+/- 10 %	1,500	838 105 405	838 305 405	838 315 405
	110-120 V AC	+/- 10 %	0,290	838 105 310	838 305 310	838 315 310
	230-240 V AC	+/- 10 %	0,150	838 105 313	838 305 313	838 315 313
green	12 V AC/DC	+/- 10 %	2,900	838 106 404	838 306 404	838 316 404
	24 V AC/DC	+/- 10 %	1,500	838 106 405	838 306 405	838 316 405
	110-120 V AC	+/- 10 %	0,290	838 106 310	838 306 310	838 316 310
	230-240 V AC	+/- 10 %	0,150	838 106 313	838 306 313	838 316 313
yellow	12 V AC/DC	+/- 10 %	2,900	838 107 404	838 307 404	838 317 404
	24 V AC/DC	+/- 10 %	1,500	838 107 405	838 307 405	838 317 405
	110-120 V AC	+/- 10 %	0,290	838 107 310	838 307 310	838 317 310
	230-240 V AC	+/- 10 %	0,150	838 107 313	838 307 313	838 317 313



Flashing



WMM



MMR



MSR



MGM



AKV



MBK



MQM

ACCESSORIES

Type	Type of accessory	Tube length	Weight	Order number
WMM	Metal bracket for wall mounting		340 g	818 200 900
MMR	Tube mounting Aluminium with plastic foot	50 mm		698 806 007
		100 mm		698 806 008
		250 mm		698 806 009
		400 mm		698 806 010
MSR	Tube mounting Stainless steel with die-cast zinc foot, black (powder-coated)	50 mm		698 806 021
		100 mm		698 806 022
		250 mm		698 806 023
		400 mm		698 806 024
MGM	Magnetic fixing		600 g	818 203 900
AKV	Cable gland M20×1,5			698 800 026
MBK	Earthing kit for UL-compliant installation			819 201 900
MQM	Mounting plate for UL-compliant installation			818 202 900

REPLACEMENT PARTS

Type	Type of accessory	Nominal voltage	Output	Order number
HL31	Halogen bulb	12 V	35,000 W	890 035 904
HL32	Halogen bulb	24 V	35,000 W	890 035 905
HL35	Halogen bulb	110-120 V	35,000 W	890 035 910
HL36	Halogen bulb	230-240 V	35,000 W	890 035 913