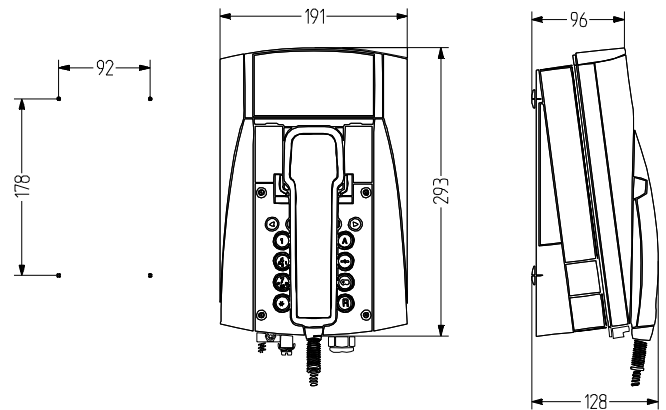


## dFT3-IP Explosion-proof VoIP telephone

- Certified for gas and dust hazardous areas – zone 2, 22
- Degree of protection IP 65
- Impact-resistant polycarbonate housing
- Housing colours yellow, red, grey and black
- Intelligent and user-friendly menu structure
- Standard H.323, SIP, TSIP, SIPS protocols
- Power over Ethernet power supply
- Available with armoured or spiral cord as an option
- Illuminated keypad/pixel-based LCD display
- Can be used as a desk-mounted or wall-mounted telephone



II 3G Ex nA nL II C T5

II 3D Ex tD A22 IP65 T80°C

-20°C bis +55°C

Zone 2, 22



# dFT3-IP

## TECHNICAL DATA

Tone ringing volume	95 dB
Connection	10/100 BASE-T Ethernet LAN
Echo compensation	G.168
Housing	Polycarbonate black, black/red, black/grey or black/yellow
Connection technology	to a single 10/100 BASE-T Ethernet LAN, RJ45
Operating temperature	-20 °C / +55 °C
Degree of protection	IP65
Current supply	Power over Ethernet as per IEEE 802.3af
Technology	VOIP
Keypad	illuminated keypad
Protocol	H.323, SIP, TSIP or SIPS
Weight	2,4 kg
Display	128 × 64 Pixel
General	H.323 version 4 incl. H.225, H.235, H.245 and RAS gatekeeper routed signalling, H.450 Session Initiation Protocol (SIP), RTP, SRTP
RTCP	Real time control protocol - first level of 'quality of service'
RAS protocol	Support for external gatekeeper
DTMF	H.245 'alphanumeric' or 'single type'
VoIP features	H.245 fast connect en-bloc dialling overlapped sending
Encryption	Encrypted password authentication as per H.235
Quality of service	Prioritisation of IP packets over TOS and Diffserv, VLAN priority as per IEEE 802.1p/802.1p
Speech codes	G.711 A-law/ $\mu$ -law (64 kbps), G.723.1 ( 5,3 kbps), G.729A (16 kbps)
Access	using web browser with HTML Password-protected with secure authentication

Connections for trouble-shooting	Log and trace files, interface status indicators and ping connection test for internet protocol sending of SNMP traps
Update	Saving and reading of configuration, boot code and firmware update by means of HTML upload and automatic update using update server
DSL Zugang	PPPoE protocol
VPN	Tunnelling with PPTP encryption with MPPE
NAT	Network address translation - for translating official IP addresses into unofficial addresses and vice versa
DHCP	Dynamic host configuration protocol - IP interface settings
ICMP	Internet control message protocol - for ping tests
Ring tone generation	Automatic generation of ring tone as per European and US standards
Call switching	Call transfer, in all common variants: with/without enquiry, before/after answering, etc.
Call forwarding	Call diversion/redirection
Hold	Call hold/retrieve
Call waiting	Call waiting, including signalling of second call information
Message	Display on telephone indicating that there is a message
Name Display	for signalling the name which is to be displayed
Conference	with 3 subscribers, including external subscribers
Telephone number identification	displays calling numbers
Multiple entries	maximum of 6 entries
Directory	local, integration or external database
Time	extremely accurate time information thanks to access to time server



# dFT3-IP

## ORDER DATA

Cord	Housing colour	Order number
Coiled cord	black/red	410 450 200
	black	410 450 000
	black/grey	410 450 300
	black/yellow	410 450 100
Armoured cord	black/red	410 460 200
	black	410 460 000
	black/grey	410 460 300
	black/yellow	410 460 100



TH1



TH2

## ACCESSORIES

Type	Type of accessory	Colour	Housing material	Weight	Order number		
TH1	Telephone sound protection hood	yellow (RAL 1023)	PVC - plastic (UV and weather-resistant)	30 kg	410 100 012		
			glass-fibre-reinforced plastic (GFRP)	40 kg	410 100 008		
			Console (sheet steel, powder-coated)	17 kg	410 100 011		
			Metal	35 kg	410 100 006		
		orange (RAL 2000)	PVC - plastic (UV and weather-resistant)	30 kg	410 100 013		
			glass-fibre-reinforced plastic (GFRP)	40 kg	410 100 007		
		red (RAL 3020)	PVC - plastic (UV and weather-resistant)	30 kg	410 100 014		
			glass-fibre-reinforced plastic (GFRP)	40 kg	410 100 015		
			Metal	35 kg	410 100 009		
			Stainless steel	40 kg	410 100 010		
		TH2	Telephone sound protection hood	yellow	PVC - plastic (UV and weather-resistant)	3,5 g	410 100 030
					Stainless steel	3,5 g	410 100 020
STB	Stabiliser bracket				410 400 900		