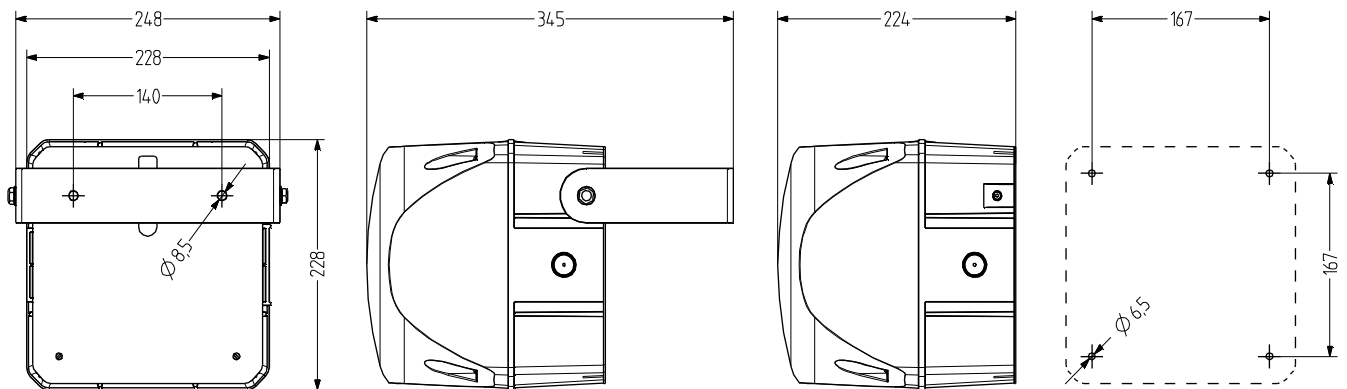


## QBX LED multi strobe beacon

- 228 mm cubic-design LED multi-strobe beacon
- Very good frontal and lateral signalling effect
- 400 cd luminous intensity
- High degree of protection IP 66 & impact resistance IK09
- UV-stabilised material
- Modern LED technology – 12 high-power LEDs
- 3 different strobe patterns, can be switched externally
- For industrial and general applications
- Combinations of beacons and multi-tone alarm sounders possible



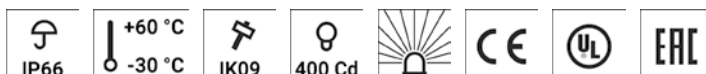
Internal diffuser and special lens pattern for optimal 360° signalling effect



### TECHNICAL DATA

Housing	228 mm (square), Polycarbonate red (RAL 3000)
Lens	Polycarbonate, ribbed inside orange, red, clear, blue, green or yellow
Type of mounting	any
Cable entry	Back: Grommet 5–10 mm, optional side cable entry with cable gland (on both sides) (accessory type AKV)
Connection technology	Screw/plug-in terminal 2,5 mm <sup>2</sup>
Leakage current	0,003 A (PLC-suitable)
Beacon type	LED multi strobe beacon

Light source	10 to 12 (depending on voltage) High Power LEDs
Luminous intensity	400 Cd
Strobe/flash frequency	Double strobe 1.4 Hz; 6× strobe 1.0 Hz; multi strobe
Duty cycle	100 %
Service life	Light source: >50.000 h
Operating temperature	-30°C/+60°C
Degree of protection	IP66 & UL Type 4/4x/13
Impact resistance	IK09
Weight	2,7 kg



# QBX

## ORDER DATA

Lens colour	Nominal voltage	Voltage range (V)	Nominal current (A)	Order number
orange	24-48 V AC/DC	18-53 V AC 18-60 V DC	1,700	874 861 408
	110-240 V AC/DC	80-265	0,400	874 861 413
red	24-48 V AC/DC	18-53 V AC 18-60 V DC	1,700	874 862 408
	110-240 V AC/DC	80-265	0,400	874 862 413
clear	24-48 V AC/DC	18-53 V AC 18-60 V DC	1,700	874 864 408
	110-240 V AC/DC	80-265	0,400	874 864 413
blue	24-48 V AC/DC	18-53 V AC 18-60 V DC	1,700	874 865 408
	110-240 V AC/DC	80-265	0,400	874 865 413
green	24-48 V AC/DC	18-53 V AC 18-60 V DC	1,700	874 866 408
	110-240 V AC/DC	80-265	0,400	874 866 413
yellow	24-48 V AC/DC	18-53 V AC 18-60 V DC	1,700	874 867 408
	110-240 V AC/DC	80-265	0,400	874 867 413



AMK



AB4



AG4



AKV

## ACCESSORIES

Type	Type of accessory	Weight	Order number
AMK	Mounting set for combining several pieces of signalling equipment of the same size	10 g	874 010 900
AB4	Mounting set for metal bracket for mounting in any direction (e.g. on mounting platforms)		874 034 900
AG4	Flat seal for correct IP66 installation on smooth surfaces		874 024 900
AKV	Cable gland M20×1,5		698 800 026



Strobe