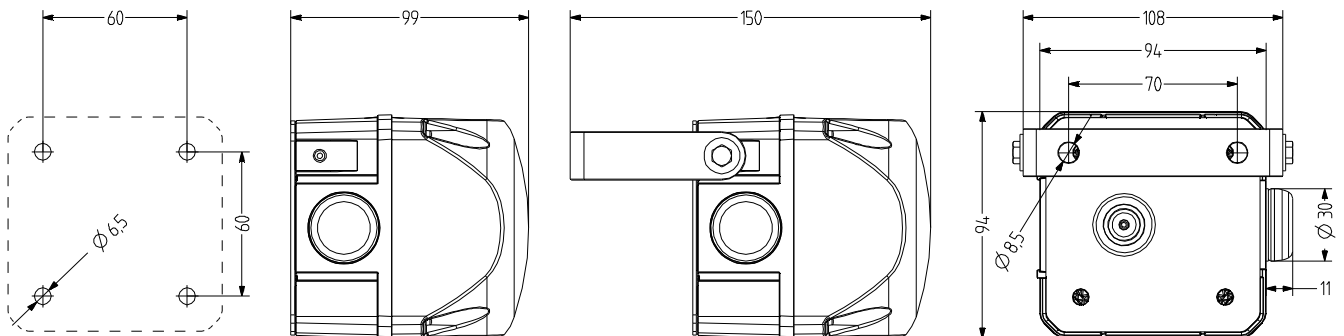


QTS Xenon strobe beacon with buzzer indicator

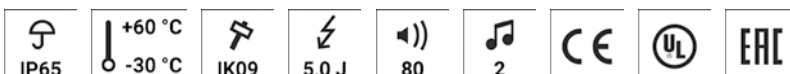
- 94 mm cubic-design xenon strobe beacon with built-in buzzer indicator
- Max. 85 dB (A) sound pressure
- High degree of protection IP 66 & impact resistance IK09
- UV-stabilised material
- Beacon with good frontal/lateral signalling effect
- 5 J strobe energy
- For industrial and general applications



TECHNICAL DATA

Housing	94 mm (square), Polycarbonate red, piezo buzzer black
Lens	Polycarbonate, ribbed inside orange, red, clear, blue, green or yellow
Type of mounting	any, any
Connection technology	Screw/plug-in terminal up to 2,5 mm ²
Beacon type	Xenon strobe beacon
Light source	Xenon tube
Luminous intensity	5 J Strobe energy
Strobe/flash frequency	1 Hz

Tone	2 Tones, 2 Tones can be switched externally, Steady tone or Pulsing tone
Volume	80 dB
Tone frequency	3.500 Hz
Duty cycle	100 %
Service life	Light source: 5 million flashes
Operating temperature	-30 °C / +60 °C
Degree of protection	IP65
Impact resistance	IK09
Weight	330 g



QTS

ORDER DATA

Lens colour	Nominal voltage	Voltage range (V)	Nominal current (A)	Order number
orange	24 V AC/DC	+/- 10 %	0,490	876 561 405
	110-120 V AC	+/- 10 %	0,185	876 561 310
	230-240 V AC	+/- 10 %	0,110	876 561 313
red	24 V AC/DC	+/- 10 %	0,490	876 562 405
	110-120 V AC	+/- 10 %	0,185	876 562 310
	230-240 V AC	+/- 10 %	0,110	876 562 313
clear	24 V AC/DC	+/- 10 %	0,490	876 564 405
	110-120 V AC	+/- 10 %	0,185	876 564 310
	230-240 V AC	+/- 10 %	0,110	876 564 313
blue	24 V AC/DC	+/- 10 %	0,490	876 565 405
	110-120 V AC	+/- 10 %	0,185	876 565 310
	230-240 V AC	+/- 10 %	0,110	876 565 313
green	24 V AC/DC	+/- 10 %	0,490	876 566 405
	110-120 V AC	+/- 10 %	0,185	876 566 310
	230-240 V AC	+/- 10 %	0,110	876 566 313
yellow	24 V AC/DC	+/- 10 %	0,490	876 567 405
	110-120 V AC	+/- 10 %	0,185	876 567 310
	230-240 V AC	+/- 10 %	0,110	876 567 313



AMK



AB1



AG1



AKV

ACCESSORIES

Type	Type of accessory	Weight	Order number
AMK	Mounting set for combining several pieces of signalling equipment of the same size	10 g	874 010 900
AB1	Mounting set for metal bracket for mounting in any direction (e.g. on mounting platforms)		874 031 900
AG1	Flat seal for correct IP66 installation on smooth surfaces		874 021 900
AKV	Cable gland M20x1,5		698 800 026

TONE TABLE

Tone on terminal

La	N	Lb	
X	X		pulsing tone
X	X	X	continuous tone

