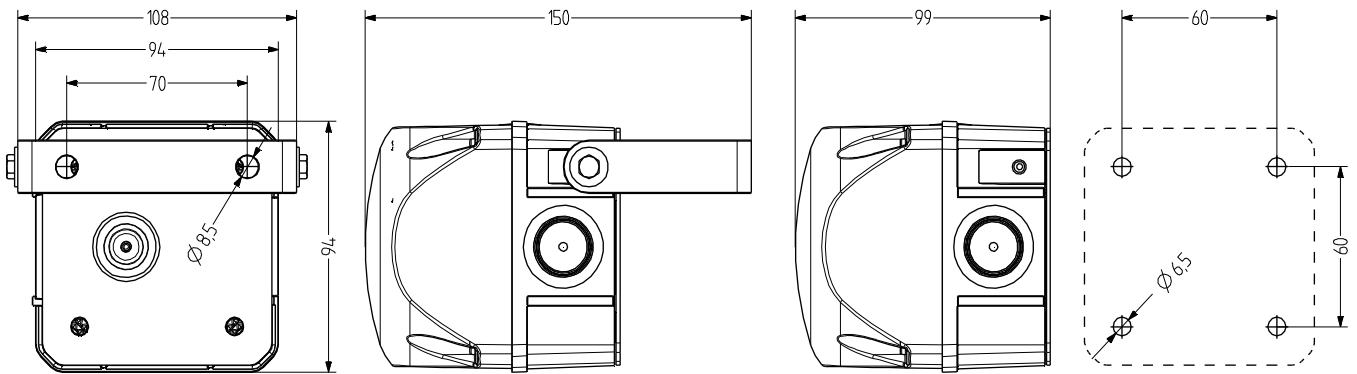


# QDS LED steady/flashing beacon

- 94 mm cubic-design LED steady/flashing beacon
- Good frontal and lateral signalling effect
- 30 cd luminous intensity
- High degree of protection IP 66 & impact resistance IK09
- UV-stabilised material
- Modern LED technology
- Steady and flashing light, can be switched externally
- For industrial and general applications
- Combinations of beacons and multi-tone alarm sounders possible



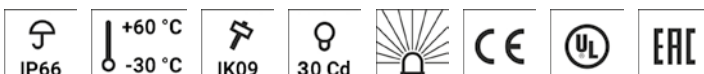
Internal diffuser and special lens pattern for optimal 360° signalling effect



## TECHNICAL DATA

Housing	94 mm (square), Polycarbonate red (RAL 3000)
Lens	Polycarbonate, ribbed inside orange, red, clear, blue, green or yellow
Type of mounting	any
Cable entry	Back: Grommet 5–10 mm, optional side cable entry with cable gland (on both sides) (accessory type AKV)
Connection technology	Screw/plug-in terminal 2,5 mm <sup>2</sup>
Leakage current	0,003 A (PLC-suitable)
Beacon type	LED steady beacon or LED flashing beacon

Light source	16 LEDs
Luminous intensity	30 Cd
Strobe/flash frequency	1 Hz
Duty cycle	100 %
Service life	Light source: >50.000 h
Operating temperature	-30°C/+60°C
Degree of protection	IP66 & UL Type 4/4x/13
Impact resistance	IK09
Weight	200 g



# QDS

## ORDER DATA

Lens colour	Nominal voltage	Voltage range (V)	Nominal current (A)	Order number
orange	24 V AC/DC	+/- 10 %	0,100	874 161 405
	48 V AC/DC	+/- 10 %	0,075	874 161 408
	110-120 V AC	+/- 10 %	0,085	874 161 310
	230-240 V AC	+/- 10 %	0,075	874 161 313
red	24 V AC/DC	+/- 10 %	0,100	874 162 405
	48 V AC/DC	+/- 10 %	0,075	874 162 408
	110-120 V AC	+/- 10 %	0,085	874 162 310
	230-240 V AC	+/- 10 %	0,075	874 162 313
clear	24 V AC/DC	+/- 10 %	0,100	874 164 405
	48 V AC/DC	+/- 10 %	0,075	874 164 408
	110-120 V AC	+/- 10 %	0,085	874 164 310
	230-240 V AC	+/- 10 %	0,075	874 164 313
blue	24 V AC/DC	+/- 10 %	0,100	874 165 405
	48 V AC/DC	+/- 10 %	0,075	874 165 408
	110-120 V AC	+/- 10 %	0,085	874 165 310
	230-240 V AC	+/- 10 %	0,075	874 165 313
green	24 V AC/DC	+/- 10 %	0,100	874 166 405
	48 V AC/DC	+/- 10 %	0,075	874 166 408
	110-120 V AC	+/- 10 %	0,085	874 166 310
	230-240 V AC	+/- 10 %	0,075	874 166 313
yellow	24 V AC/DC	+/- 10 %	0,100	874 167 405
	48 V AC/DC	+/- 10 %	0,075	874 167 408
	110-120 V AC	+/- 10 %	0,085	874 167 310
	230-240 V AC	+/- 10 %	0,075	874 167 313



Steady & flashing



AMK



AB1



AG1



AKV



AW1

## ACCESSORIES

Type	Type of accessory	Weight	Order number
AMK	Mounting set for combining several pieces of signalling equipment of the same size	10 g	874 010 900
AB1	Mounting set for metal bracket for mounting in any direction (e.g. on mounting platforms)		874 031 900
AG1	Flat seal for correct IP66 installation on smooth surfaces		874 021 900
AKV	Cable gland M20x1,5		698 800 026
AW1	Stainless steel bracket		874 041 900